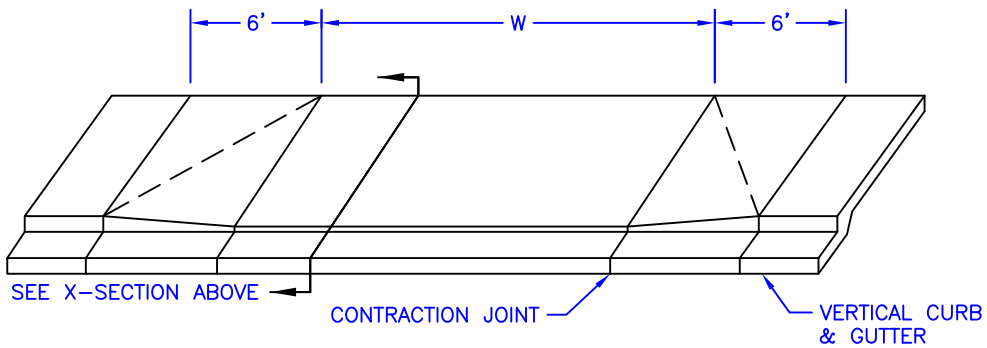


CROSS SECTION



ISOMETRIC VIEW

TYPE OF CUT	W	TOTAL WIDTH
SINGLE FAMILY	10' MIN.	22' MIN.
MULTI FAMILY	24' MIN.	36' MIN.
COMMERCIAL/IND.	24' MIN.	36' MIN.

NO SCALE

NOTES:

- ① COMPACTED SUBGRADE
- ② t= 6" RESIDENTIAL- SINGLE FAMILY
t= 8" MULTI-FAMILY/ LIGHT COMMERCIAL
t= 10" ALL OTHERS
- ③ TYPICAL 7 3/8" FROM FLOWLINE TO TOP BACK OF WALK.
- ④ MULTI-FAMILY & COMMERCIAL/INDUSTRIAL CURB CUTS, FIBER MESH REQUIRED

ADAMS COUNTY TRANSPORTATION DEPARTMENT /ENGINEERING 4430 S. ADAMS COUNTY PKWY. BRIGHTON, CO 80601	<h1 style="margin: 0;">STANDARD CURB CUT</h1>	ADAMS COUNTY TRANSPORTATION DEPARTMENT /CONSTRUCTION INSPECTION 4430 S. ADAMS COUNTY PKWY. BRIGHTON, CO 80601
	REVISION DATE: 06/02/14 FILE NAME: STCURBCUT_D.DWG	